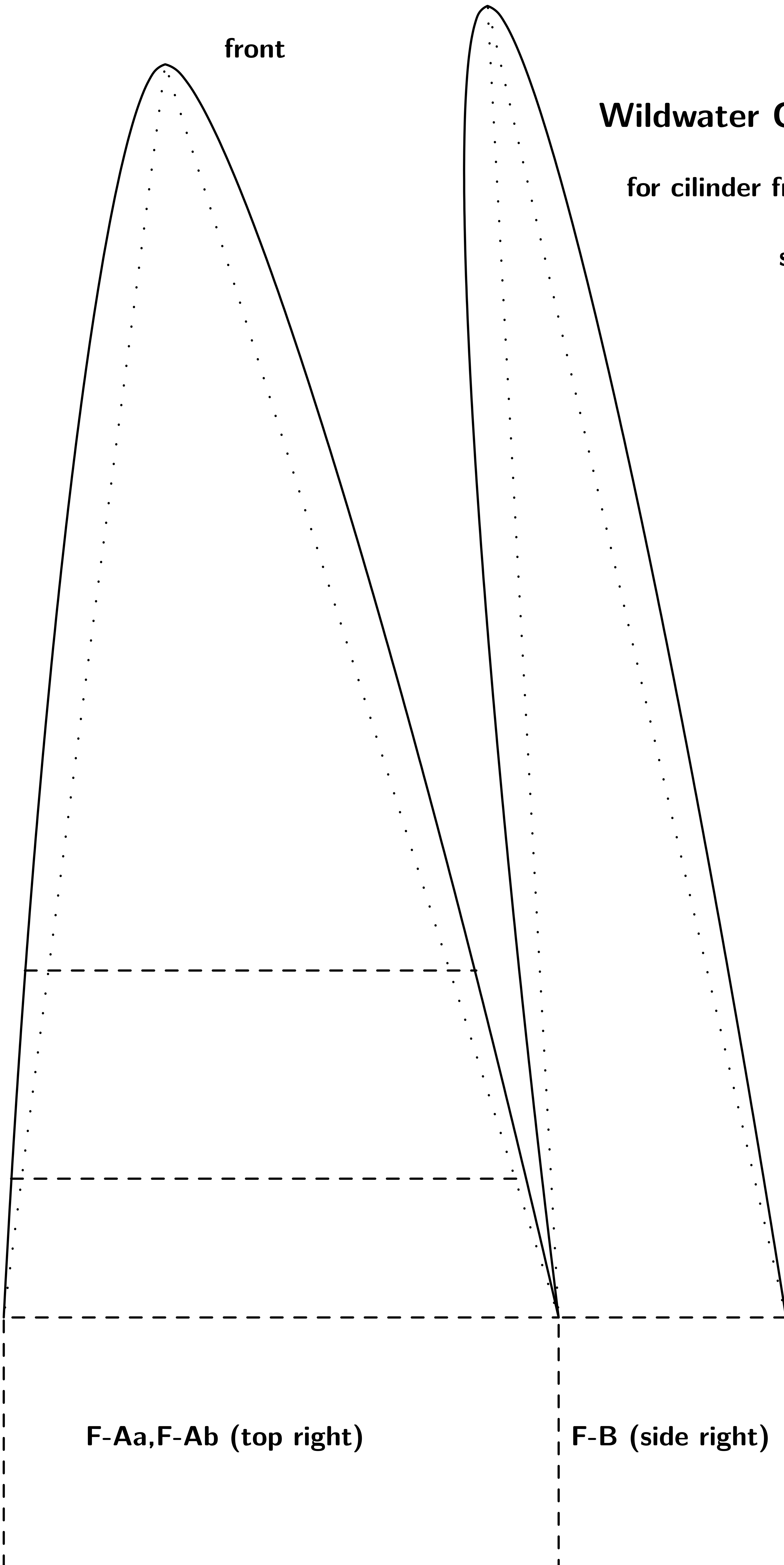


front

Wildwater Catamaran Pattern

for cilinder front and back casing

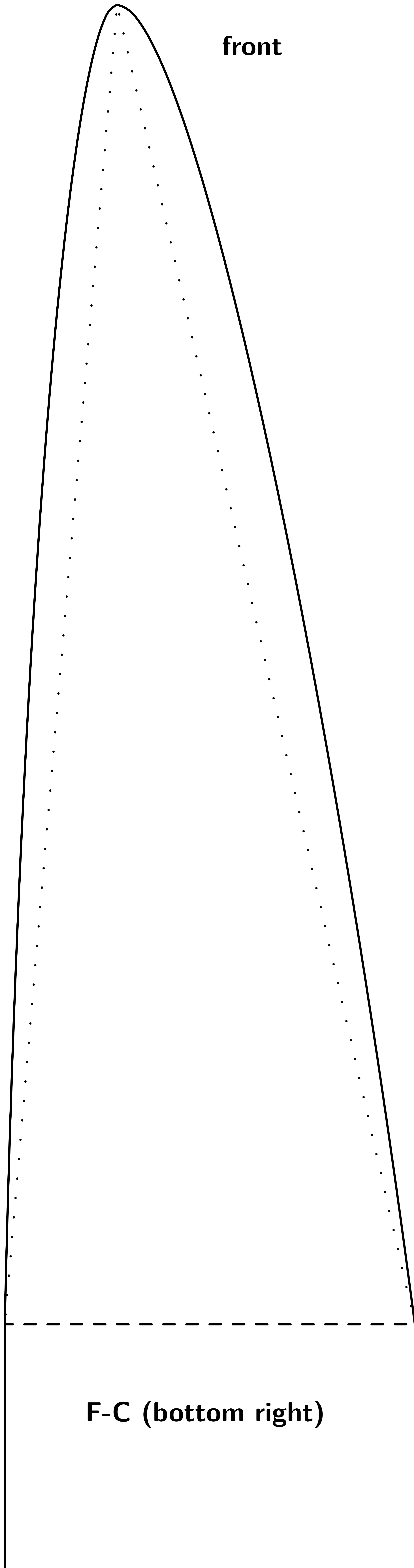
scale 1:1



F-Aa, F-Ab (top right)

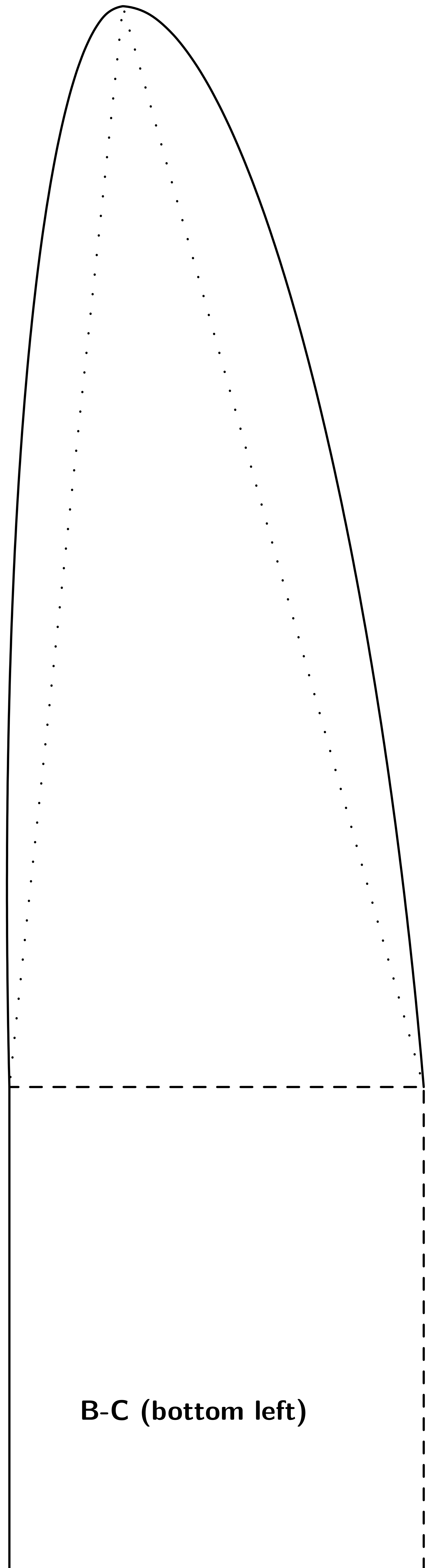
F-B (side right)

front



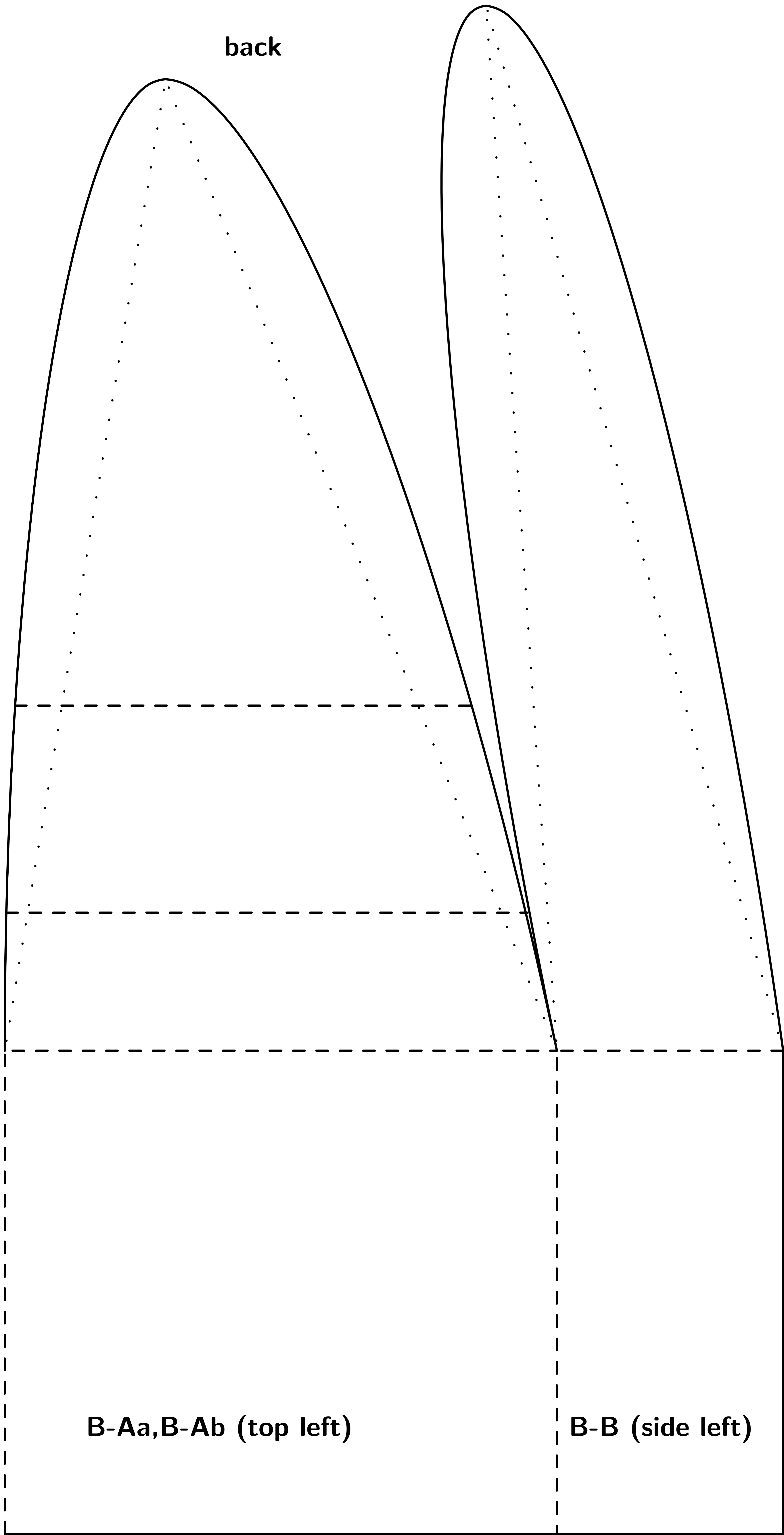
F-C (bottom right)

back



B-C (bottom left)

back



B-Aa,B-Ab (top left)

B-B (side left)

**(c) design by Vít Zýka
2001**